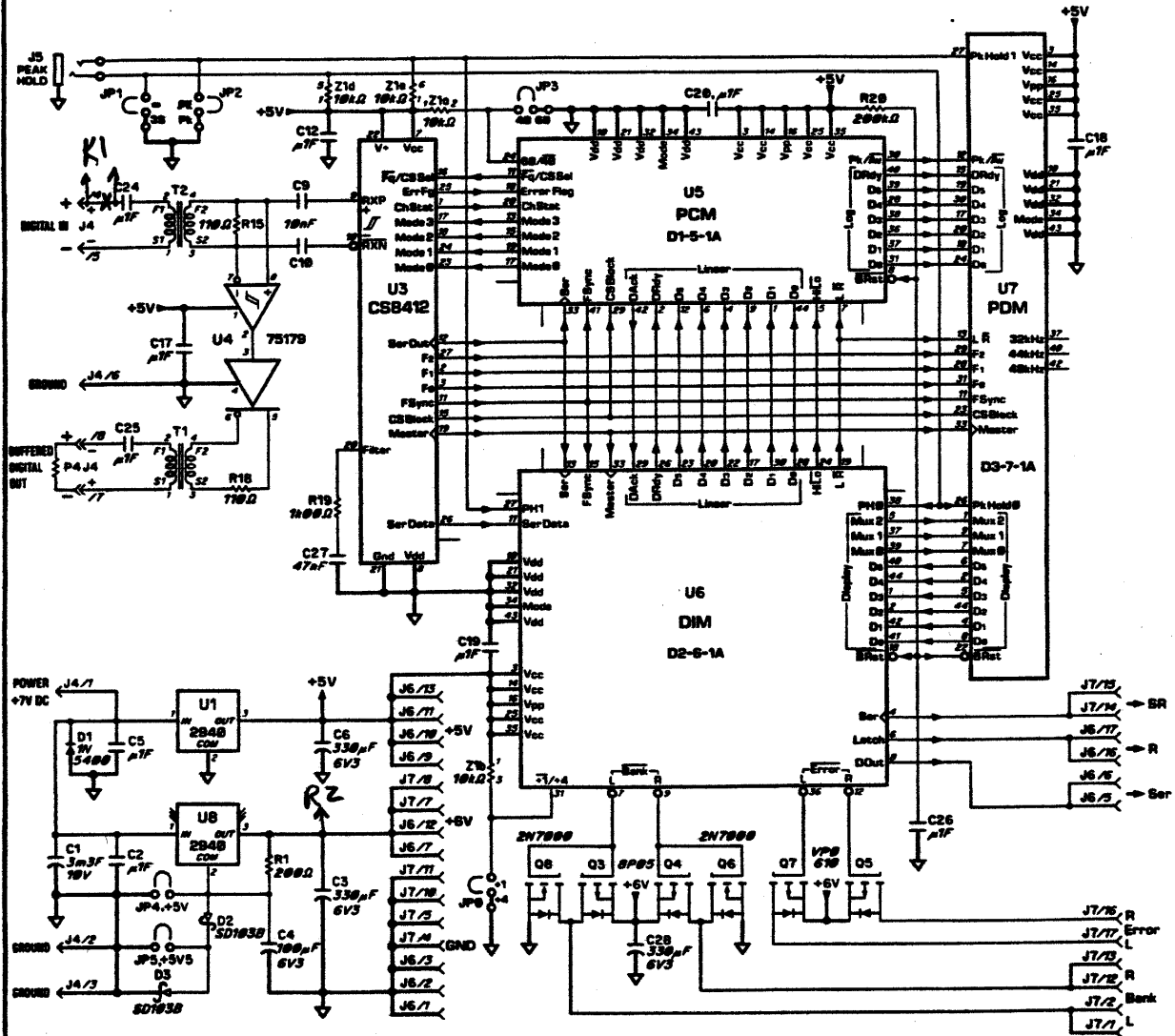


- 6 DS101-DS104 CW85(JKL) 6V
- 4 Z101-Z110 220Ω
- 3 J6 ← P3, J7 ← P4
- 2 → = MALE ← = FEMALE
- 1 ALL VALUES
- A. MULTIPLIER AT DECIMAL LOCATION, ie
 $3.6A2 \times 36G, 8847uF = 47nF = 4n7F, 22uF = 22F = 220nF$
- B. $p=10^{-12}, n=10^{-9}, \mu=10^{-6}, m=10^{-3}, k=10^3, M=10^6, G=10^9$

APPROVALS	DATE	dorough	
DESIGN	E A	3-85	
CHECKED			
ENGR			
APP'D	MD	3-85	
DATE	N/A	MODEL NO.	(2885380) (D&E) 157-385-
FRONT		SIZE	C
		REV	A

LTR	DESCRIPTION	DATE	APPROVED
A	N/C		
B	DELETE: R24-27,30,31,L1,C6,11,22,U2 CHANGE/MOVE: C1, 3-5,10,20,D2,05-8 ADD: R1C4,D3,JP4,5	2/25	
C	DELETE: R21,22 ADD: C5,10	2/25	



4. IF INPUT IS 37V, D2 B3 = 94448/94
 3. J6 ← P3, J7 ← P4
 2. → = MALE ← = FEMALE
 1. ALL VALUES
 A. MULTIPLIER AT DECIMAL LOCATION, IS
 3.6x10³, 3.6x10², 3.6x10¹, F=0.7, f=0.7, 2.2x10², 2.2x10¹, 2.2x10⁰
 B. p=10⁻¹², n=10⁻⁹, μ=10⁻⁶, m=10⁻³, 1=10⁰, M=10³, G=10⁶
NOTES: UNLESS OTHERWISE SPECIFIED

APPROVALS	DATE	DESCRIPTION
DESIGNER	E.A.	2/25
CHECKED		
ENCHG		2832
APP'D	M.D.	2/25
REV		
DATE		
SCALE		
1/1		
2/1		

draft

155-385-3

SCHEMATIC DIAGRAM
 SIGNAL & PWR. BD.

